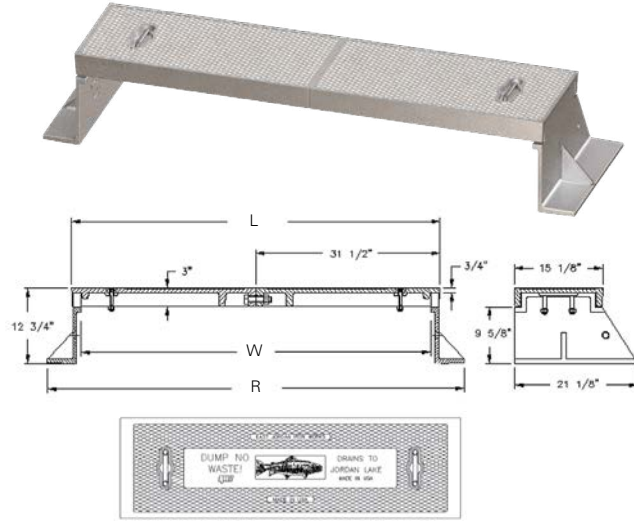


V-4096 CURB & GUTTER INLET

Light duty (Non-traffic)
Behind the curb use

Options
Special lettering
"DUMP NO WASTE!" lettering and fish image on hood



V-4096 Curb & Gutter Inlet Sizes

Catalog Number	R	W	L
V-4096-1	60	48	51
V-4086-2	72	60	63

Note: All dimensions are in inches.

V-4230 GUTTER INLET FRAME & BAR GRATE

Heavy duty
Machined bearing surfaces

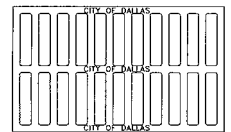
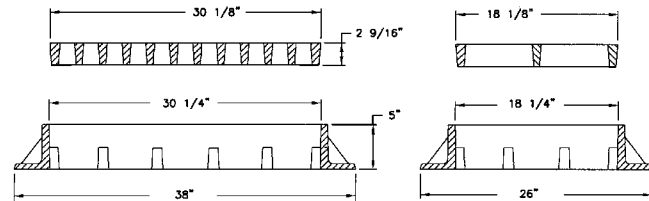
Options
Special lettering
Vane grate
Ductile iron
Bolted assembly
"DUMP NO WASTE!" lettering and fish image

NOTE: Support all frame joints with steel I-beams supplied by other.

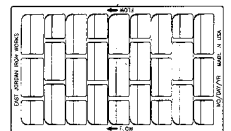


Illustrating V-4232 Frames & V-4230-1 Grates
Approx. 470 sq. in open area

Illustrating V-4230 Frame & V-4230-1 Grate
Approx. 235 sq. in open area

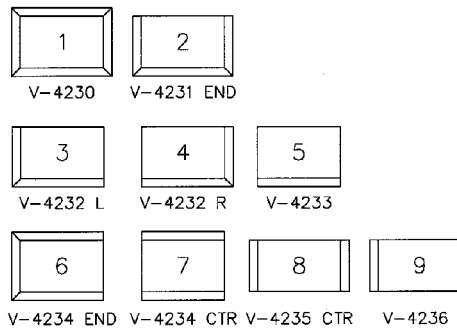


V-4230-1 Grate
With special lettering

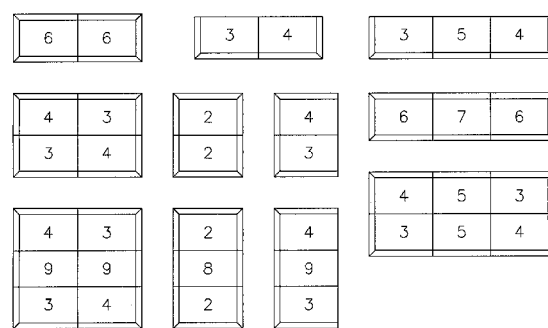


V-4230-2 Vane Grate
Approx. 195 sq. in. open area

Frame Styles



Frame Combination



7600M Hydrodynamic Vane Grate
Approx. 220 sq. in. open area
"DUMP NO WASTE DRAINS TO RIVER"